

Series

VENTS VUT2 250 PU EC
VENTS VUE2 250 PU EC
VENTS VUTE2 250 PU EC



A5 control panel

The suspended air handling unit in heat- and sound-insulated casing with versatile spigot orientation. Air capacity up to **275 m³/h**, heat recovery efficiency up to 90 %.

Description

The suspended air handling units VUT2, VUE2 and VUTE2 250 PU EC are the fully-featured ventilation units that ensure air filtration, fresh air supply and stale air extract.

The model VUT2 ensures sensible heat recovery and the models VUE2 and VUTE2 ensure sensible heat and moisture recovery in two plate heat exchangers.

The units are applied as components of ventilation and air conditioning networks for various premises.

The units are featured with extremely low noise level due to the fans located between two heat exchangers as well as EC motor technology.

High heat recovery efficiency of the units meets the strict energy saving market demands.

Compatible with round Ø 125 mm air ducts.

Modifications

VENTS VUT2 250 PU EC – unit with two metal cross-flow heat exchangers.

VENTS VUE2 250 PU EC – unit with two cross-flow heat exchangers of polymerized cellulose.

VENTS VUTE2 250 PU EC – unit with two cross-flow heat exchangers (one made of polymerized cellulose and another made of metal).

Casing

Made of polymer coated steel, internally filled with 20 mm mineral wool heat- and sound-insulating layer.

Filter

Supply and extract air flows are purified through two panel filters with filtering class G4.

Fans

High-efficient electronically-commutated motors with external motor and impeller with backward curved blades.

Such motors are the most state-of-the-art energy-saving solution.

EC motors are featured with high performance and total speed controllable range. High efficiency reaching 90 % is the premium advantage of the electronically-commutated motors.

Heat exchangers

The units incorporate two heat exchanger types:

The aluminium heat exchangers are designed to ensure sensible heat energy transfer from extract to supply air flow. The heat exchangers are distinguished by long service life in a cold climate.

The enthalpy heat exchangers of polymerized cellulose are designed to recuperate both sensible and latent energy. These heat exchangers are frost-proof and produce no condensate. The units with polymerized cellulose heat exchangers are recommended for use in air conditioned premises.

The unit VUT2 250 PU EC is equipped with two aluminium cross-flow heat exchangers and two drain pans.

The unit VUE2 250 PU EC is equipped with two enthalpy cross-flow heat exchangers of polymerized cellulose.

The unit VUTE2 250 PU EC is equipped with two cross-flow various heat exchangers, one made of aluminium and another one of polymerized cellulose. The unit has a drain pan to remove condensate from the aluminium heat exchanger.

Control and automation

The unit includes integrated automation and a multifunctional control panel (R3/O10 T) with LED indication.

The delivery set includes a signalling cable for connection with the control panel.

The integrated freezing protection system is designed to prevent the heat exchanger freezing at low temperatures. In case of freezing danger indication by the temperature sensor the supply fan is turned off to let warm extract air flow pass by the heat exchangers and warm them up. After freezing danger is no longer actual, the supply fan is turned on and the unit reverts to the standard operation mode.

Control panel functions:

- ▶ Turning unit on/off.
- ▶ Ventilation mode selection: minimum, medium, maximum.
- ▶ Minimum mode setup in the range of 7 pre-set speeds. The medium speed is automatically set 80 m³/h above the minimum speed, but it does not exceed the maximum speed.
- ▶ Filter replacement indication.

Mounting

The unit is designed for suspended ceiling mounting in balcony, storeroom, basement, attic and other auxiliary premises. The unit is also suitable for installation in major premises directly to the ceiling, behind the false ceiling or in the ceiling recess. Access for servicing and cleaning through the bottom panel.

Designation key:

Series	Number of heat exchangers	Rated air capacity [m ³ /h]	Mounting type	Duct connection	Motor type
VENTS VUT VENTS VUE VENTS VUTE	2	250	P – suspended	U – angle (versatile)	EC – synchronous electronically commutated motor

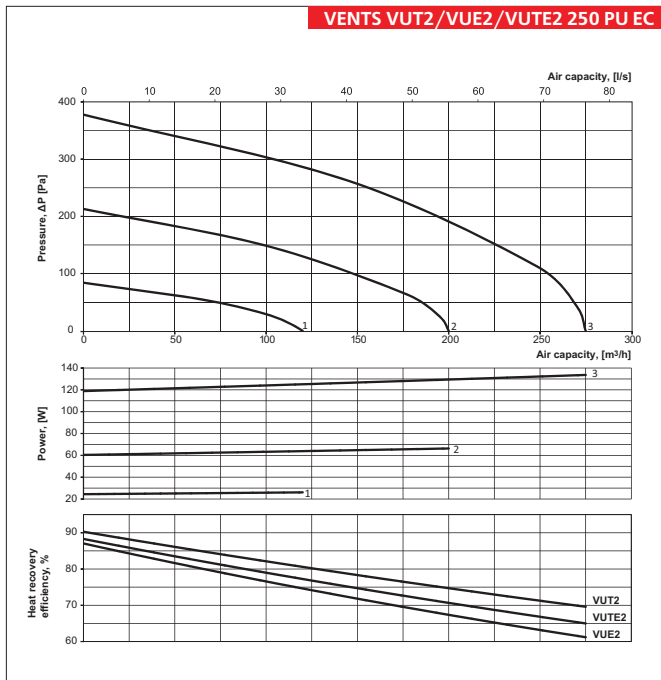
Accessories



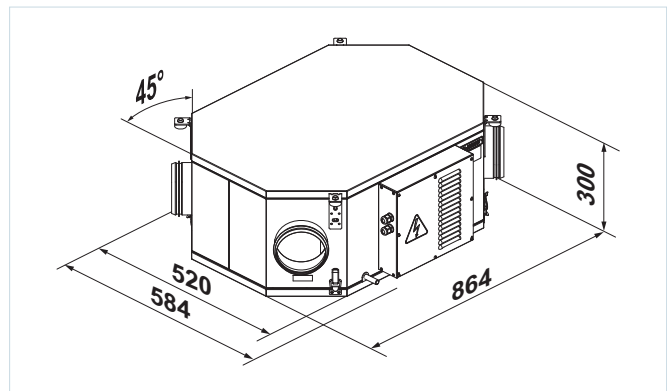
page 378 page 378 page 442 page 447 page 455 page 498 page 499

Technical data:

	VUT2 250 PU EC VUE2 250 PU EC VUTE2 250 PU EC
Voltage [V / Hz]	1~ 220-240 / 50-60
Max. fan power [W]	135
Fan current [A]	0.87
Max. air capacity [m³/h]	275
RPM [min⁻¹]	2650
Sound pressure level at 3 m [dBA]	38
Max. transported air temperature [°C]	from -25 °C up to +40 °C
Casing material	polymer coated steel
Insulation	20 mm mineral wool
Filter: extract / supply	panel type G4
Connected air duct diameter [mm]	Ø 125
Heat recovery efficiency	up to 90 %
Heat exchanger type	cross-flow, 2 items
SEC Class	A



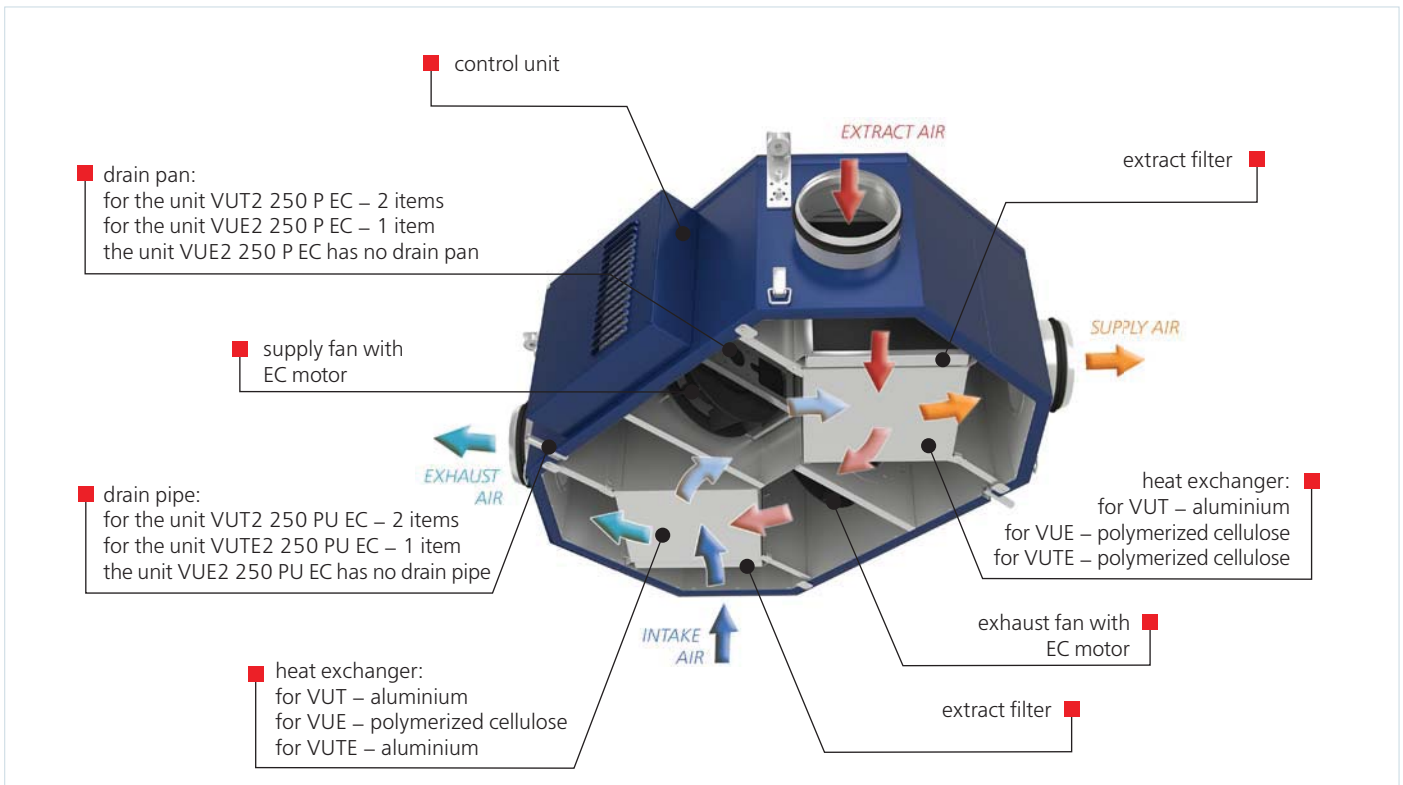
Overall dimensions:



VENTs VUT2/
 VUE2/VUTE2
 250 PU EC
 HEAT RECOVERY AIR
 HANDLING UNITS

HEAT RECOVERY AIR HANDLING UNITS

Unit design:



Application examples:

